

micro-Gemini-2

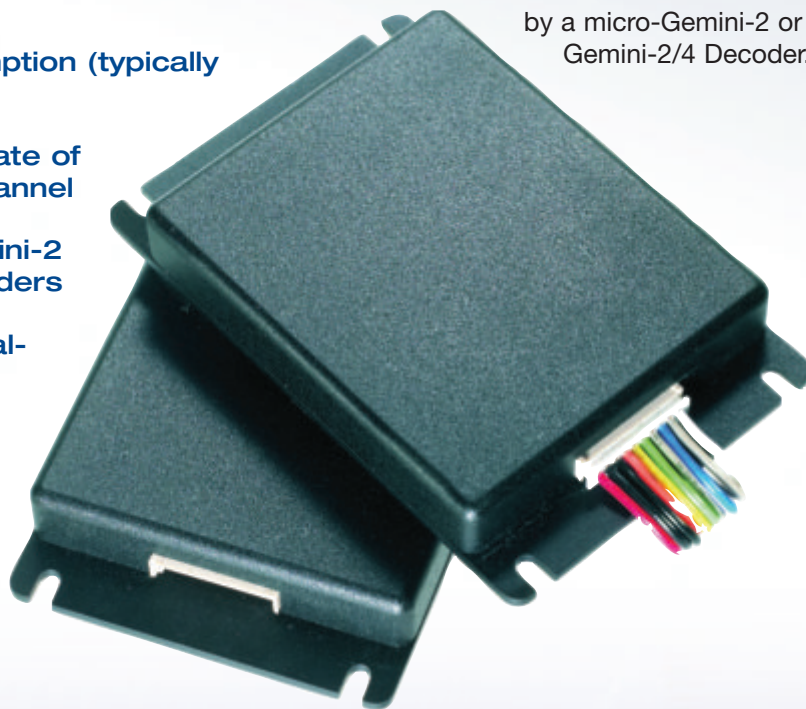
the **easier** way to add an extra camera

micro-Gemini-2 is the simplest way to add an extra camera to ultra-covert surveillance links and retains all the key features of the standard Gemini range including full colour operation, fast update rate, on-screen display and by-pass on power-down.

- **Easier way to add an extra camera to video surveillance links**
- **Small size means it can be concealed for ultra-covert installations**
- **Low power consumption (typically 130mA at 12V)**
- **Gives fast update rate of 25/30 fields per channel**
- **Operates with Gemini-2 and Gemini-4 decoders**
- **Compatible with real-time video links including most COFDM digital links**

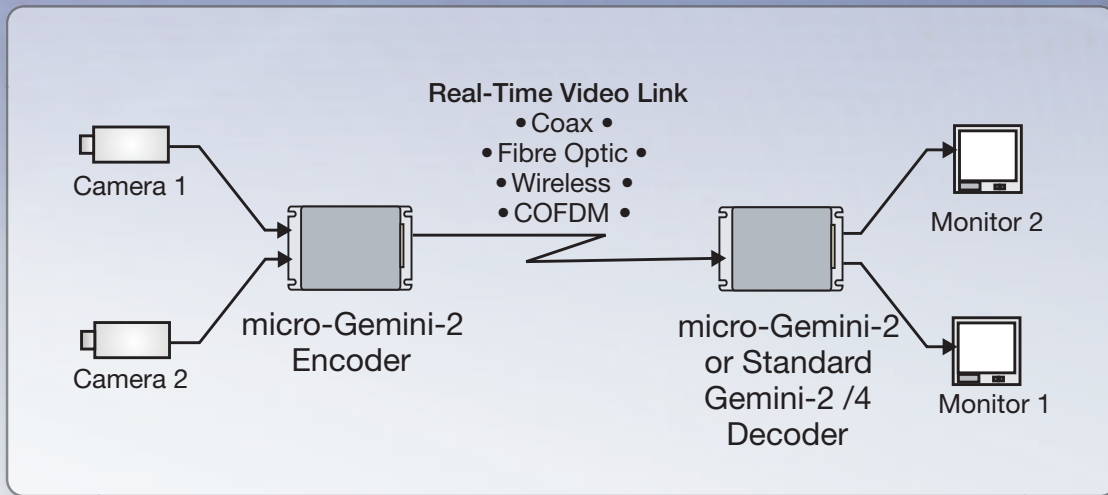
micro-Gemini-2 is a miniature video link expander that is easy to conceal when carrying out highly covert surveillance. This unique device is simple to operate and install and offers more discretion when size, weight and low power consumption are prime considerations.

The micro-Gemini-2 encoder combines two independent video inputs together to give a single field-multiplexed output, which is compatible with most real-time video links, including coax, fibre optic, analogue wireless and even some digital wireless links. At the receive site, the signal is decoded back onto two separate outputs by a micro-Gemini-2 or Standard Gemini-2/4 Decoder.

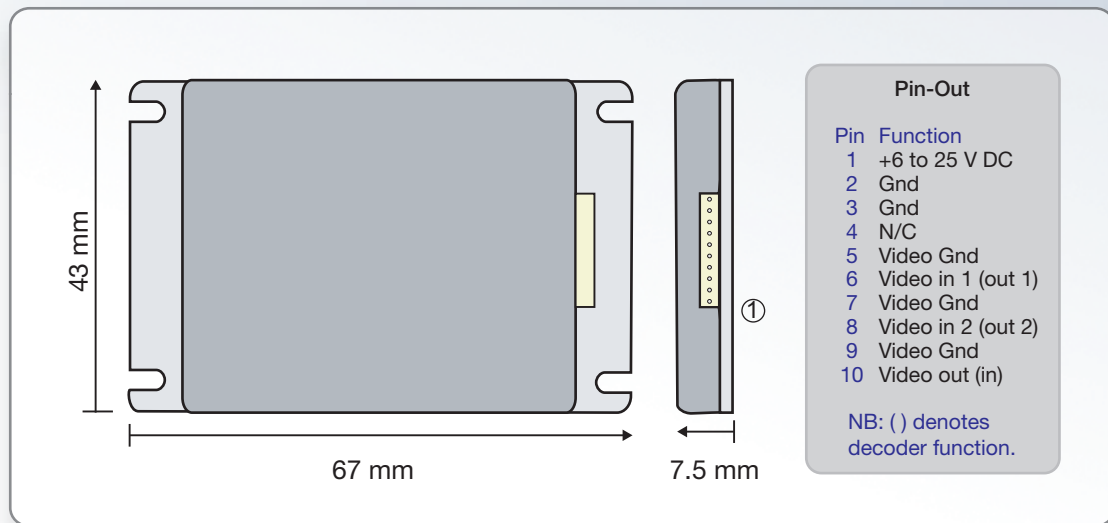


end and side views - actual size





Typical Application Diagram



micro-Gemini-2 Dimensions & Interfaces

Outline Specification			
General:	Operating temperature range -10 to +55°C Mechanical size (housed) 67 x 43 x 7.5 mm Finish Black hard-anodised aluminum Weight (housed) 35 g DC power 6 to 25 V DC Typical current consumption <1.6 W, 130mA@12V typ. Compatibility Gemini-2 or Gemini-4 On-screen display Camera number / status dot Lock-in time < 1 second I/O connector 10 way 1.25 mm SIL Molex EMC compliance EN5502 class A EN50082-1 FCC part 15B class A	Video:	Number of channels Encoder: 2 in, 1 out Decoder: 1 in, 2 out Multiplex method Field sequential, no gen-lock required Video standards supported PAL & NTSC (auto switching) Video input / output 1 Vpp into 75R, ±10% Picture update-rate 25 (PAL) or 30 (NTSC) fields per second per camera Maximum delay (video in to out) 60 mS Synchronisation line PAL:21/334 PAL, NTSC:21/284 or active lines 24/337, 22/285 Operation with one valid input Non-multiplexed

Please note, Ovation Systems reserves the right to change specifications without notice. E&OE.

Ovation Systems Ltd

Springfield Barn · London Road · Milton Common · Oxfordshire · OX9 2JY · UK

tel: +44 (0) 1844 279 638 fax: +44 (0) 1844 279 071 email: sales@ovation.co.uk



w w w . o v a t i o n . c o . u k