



Ultra-Compact Video & Audio Encryption System

- *Ultra-compact video & audio encryption system to secure covert video surveillance links.*
- *Fully View/AudioLock II video encryption compatible.*
- *Optimised for use with microwave video surveillance links.*
- *Ideal for battery operation: DC powered with low current drain (7 to 32 V DC, <55 mA at 12 V).*
- *Supplied as housed unit or PCB for simple installation within video surveillance systems.*

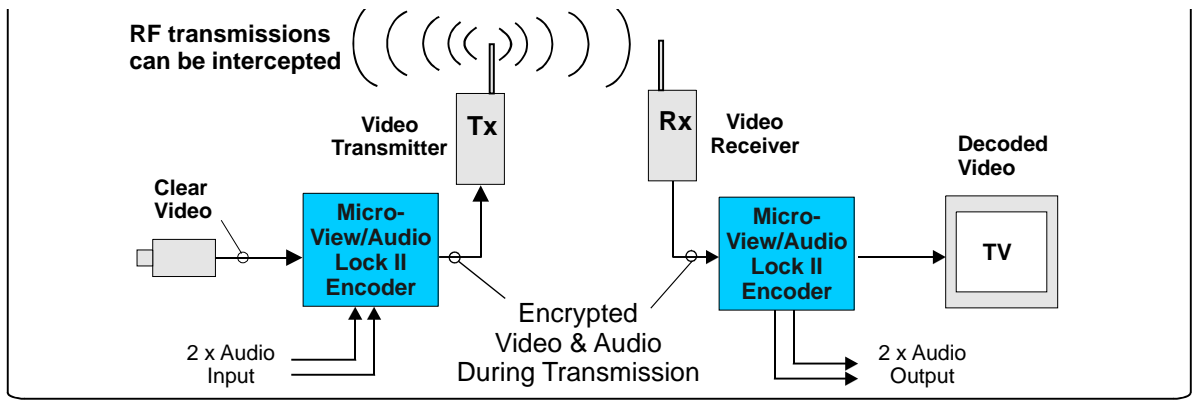
Micro-View/AudioLock II is an ultra-compact version of View/AudioLock II, the leading video & audio encryption system for securing law enforcement microwave video surveillance links from interception.

Micro-View/AudioLock II consists of a package of only 67 x 54 x 9.5 mm (or a PCB of 50 x 40 mm). It has been designed for highly covert applications, such as body-worn video surveillance, or for integration within video transmission equipment.

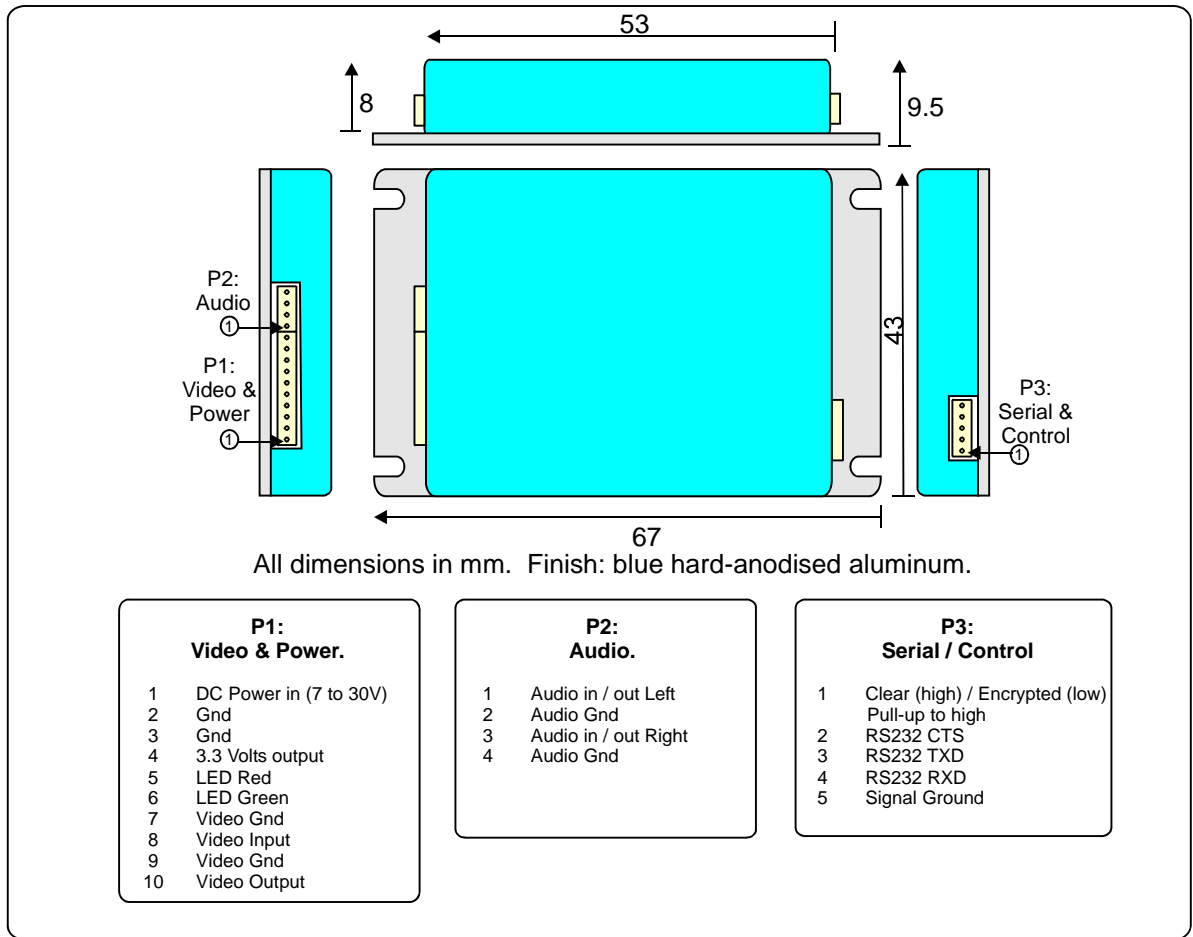
Even though it is such a small package, Micro-View/AudioLock II retains all the key features that have made the standard system so successful. These include digital audio encryption, via embedded data within the video, coupled with dynamic line cut and rotate video scrambling. Micro-View/AudioLock II is fully compatible with the standard View/AudioLock II units and may be used interchangeably. It is even possible to download secondary keys, together with other configuration data, via the system's serial port.

Micro-View/AudioLock II ensures that even the most covert of surveillance links are safe and sound.





Typical Micro-View /AudioLock II Application.



Micro-View/AudioLock II Dimensions and Interfaces.

Outline Specification			
General:		Audio:	
Operating temperature range	-10 to +55°C.	Number of audio channels	0,1 or 2 (DIP selectable)
Mechanical size (housed)	9.5 x 43 x 67 mm.	Scrambling method	Digital audio as embedded data within video.
Mechanical size (PCB only)	8 x 30 x 50 mm.	Audio I/O level (maximum)	3 V pp (TBC)
Finish	Anodised aluminum.	Audio input impedance	> 10 kΩ
Weight (housed)	30 g.	Audio output impedance	< 100Ω
DC power / video / LED connector	1.25mm Molex male.	Audio bandwidth (mono)	30Hz to 14kHz (+1, -3dB)
Operating voltage range	7 to 32 V DC.	Audio bandwidth (stereo)	30Hz to 7kHz (+1, -3dB)
Power consumption	<0.7 Watts (< 55 mA at 12 V DC).	Audio compression	ADPCM
Standard accessories	User guide, mating cables.		
Video:			
Video standards supported	PAL, NTSC (auto-detect).		
Video Input / output levels	1 Vpp into 75W.		
Lock-in time	< 0.5 second.		
Scrambling method	Line cut and rotate		
Encryption	Viewlock II compatible.		
Signal to noise	> 55 dB weighted.		